

NOTES

1. DRAWING NOT TO SCALE.
2. APPROVED BACK FLOW PREVENTERS, MANUFACTURER AND MODEL: HERSHEY MODEL #6CM, FEBCO – MODEL #825YD, WATTS MODEL 909, WILKINS MODEL 975, CONBRACO MODEL 40-200 SERIES.
3. APPROVED INSULATED ENCLOSURE MANUFACTURERS: HOT BOX AND HYDROCOWL
4. INSULATED ENCLOSURE MUST HAVE A DRAIN PORT APPROPRIATELY SIZED TO ALLOW DISCHARGE OF WATER IN THE EVENT THE RPZ RELIEF VENT OPENS.
5. PERMITS, PLAN APPROVALS, AND INSPECTIONS MUST BE OBTAINED AND SCHEDULED PRIOR TO WORK THROUGH THE CHEROKEE COUNTY WATER AND SEWERAGE AUTHORITY BACK FLOW PREVENTION DIRECTOR BY CALLING (770) 479-9107 or (770) 826-1412.
6. FITTINGS AND PIPE SHALL BE SCHEDULE 40 GALVANIZED STEEL.
7. VALVES SHALL BE BRONZE, FULL PORT, BALL VALVES WITH TFE SEATS AND STAINLESS STEEL OPERATOR HANDLES.
8. PIPE SUPPORTS REQUIRED ON PIPING 1-1/2" IN DIAMETER AND LARGER.

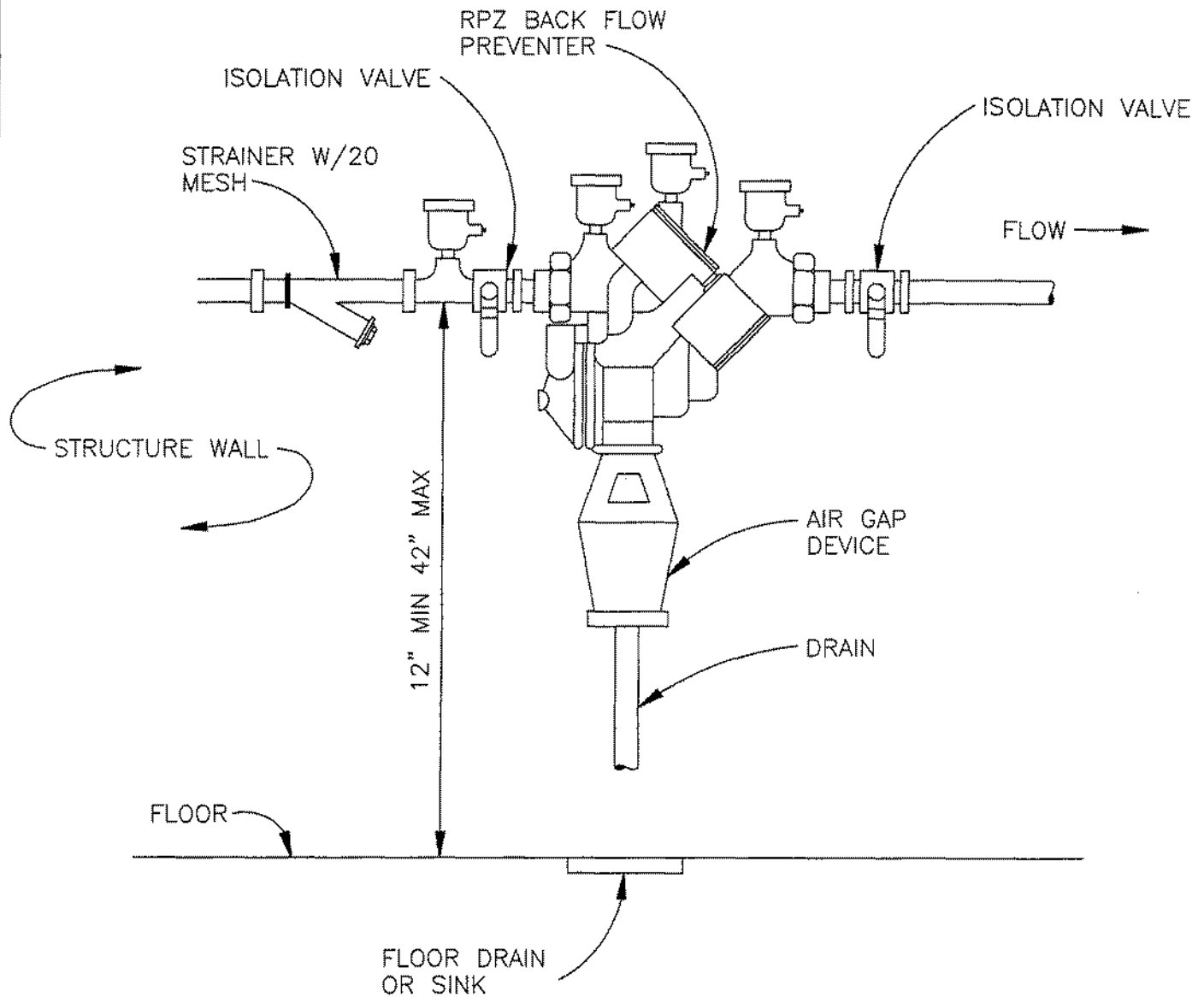
**CHEROKEE COUNTY WATER & SEWERAGE AUTHORITY
BACKFLOW PREVENTION PROGRAM**

**RPZ BACKFLOW PREVENTER SIZE 3/4" TO 2-1/2"
ABOVE GROUND TYPICAL INSTALLATION**

STANDARD
No.

01

DEC. 1995



NOTES

1. DRAWING NOT TO SCALE.
2. BACK FLOW PREVENTER MUST BE MOUNTED HORIZONTALLY.
3. APPROVED BACK FLOW PREVENTERS, MANUFACTURER AND MODEL: AMES MODEL #4000RP, HERSHEY MODEL #6CM, FEBCO - MODEL #825YD, WATTS MODEL 909, WILKINS MODEL 975, CONBRACO MODEL 40-200 SERIES.
4. DRAIN PIPE MUST BE APPROPRIATELY SIZED TO ALLOW DISCHARGE OF WATER IN THE EVENT THE RPZ RELIEF VENT OPENS.
5. RPZ DRAINS MUST HAVE AN AIR GAP DEVICE.
6. RPZ DRAINS CONNECTED TO SANITARY SEWERS MUST HAVE GAS TRAPS.
7. PERMITS, PLAN APPROVALS, AND INSPECTIONS MUST BE OBTAINED AND SCHEDULED PRIOR TO WORK THROUGH THE CHEROKEE COUNTY WATER AND SEWERAGE AUTHORITY BACKFLOW PREVENTION DIRECTOR BY CALLING (770) 479-9107 or (770) 826-1412.
8. FITTINGS AND PIPE SHALL BE SCHEDULE 40 GALVANIZED STEEL.
7. VALVES SHALL BE BRONZE, FULL PORT, BALL VALVES WITH TFE SEATS AND STAINLESS STEEL OPERATOR HANDLES.

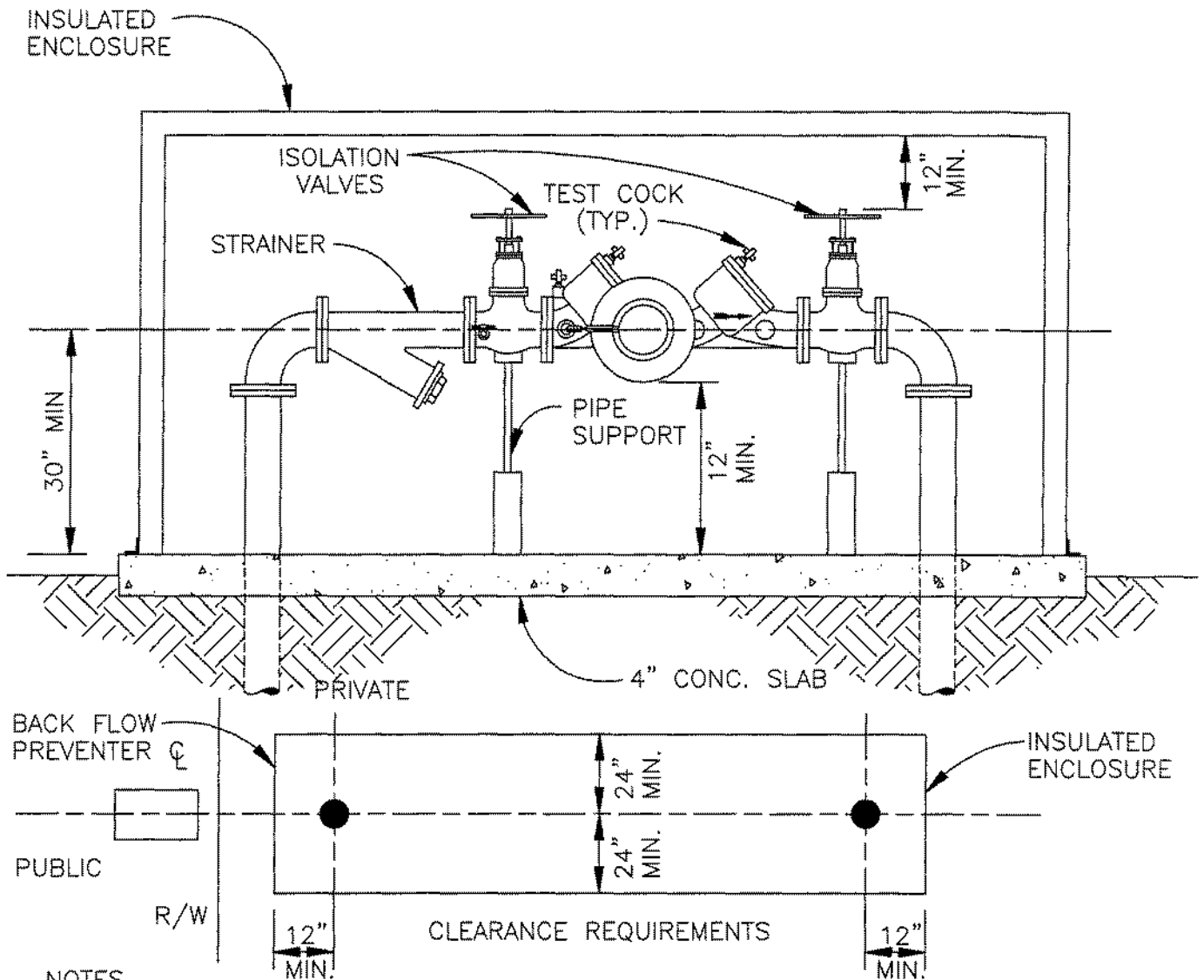
**CHEROKEE COUNTY WATER & SEWERAGE AUTHORITY
BACKFLOW PREVENTION PROGRAM**

**RPZ BACKFLOW PREVENTER SIZE 3/4" TO 2 1/2"
INTERIOR WALL MOUNT TYPICAL**

STANDARD
No.

02

DEC. 1995



NOTES

1. DRAWING NOT TO SCALE.
2. APPROVED BACK FLOW PREVENTERS, MANUFACTURER AND MODEL: WATTS MODEL 909, WILKINS MODEL 975.
3. APPROVED INSULATED ENCLOSURE MANUFACTURERS: HOT BOX AND HYDROCOWL. INSTALLATION OF INSULATED ENCLOSURES SHALL BE IN ACCORDANCE WITH THE MANUFACTURER'S RECOMMENDATIONS. HEATERS ARE RECOMMENDED TO PREVENT FREEZE UP.
4. INSULATED ENCLOSURE MUST HAVE A DRAIN PORT APPROPRIATELY SIZED TO ALLOW DISCHARGE OF WATER IN THE EVENT THE RPZ RELIEF VENT OPENS.
5. PERMITS, PLAN APPROVALS, AND INSPECTIONS MUST BE OBTAINED AND SCHEDULED PRIOR TO WORK THROUGH THE CHEROKEE COUNTY WATER AND SEWERAGE AUTHORITY BACKFLOW PREVENTION DIRECTOR BY CALLING (770) 479-9104 or (770) 826-1412.
6. FITTINGS AND PIPE INSIDE THE ENCLOSURE SHALL BE FLANGED DUCTILE IRON. BURIED PIPE MUST BE MJ.
7. ISOLATION VALVES SHALL BE RESILIENT WEDGE, NON-RISING STEM, GATE VALVES. WHERE REQUIRED BY FIRE OR OTHER CODE REQUIREMENTS, RESILIENT WEDGE OS&Y VALVES SHALL BE USED.
8. PIPE SUPPORTS REQUIRED

**CHEROKEE COUNTY WATER & SEWERAGE AUTHORITY
BACKFLOW PREVENTION PROGRAM**

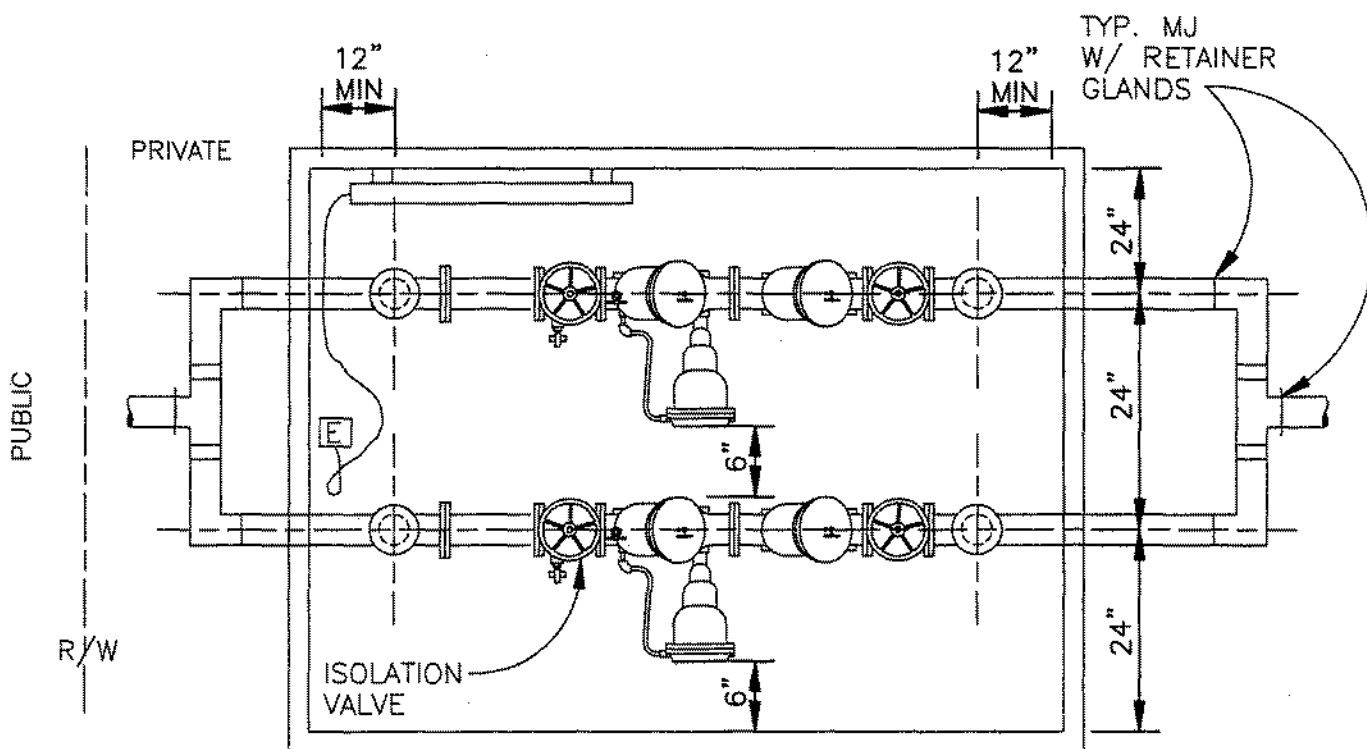
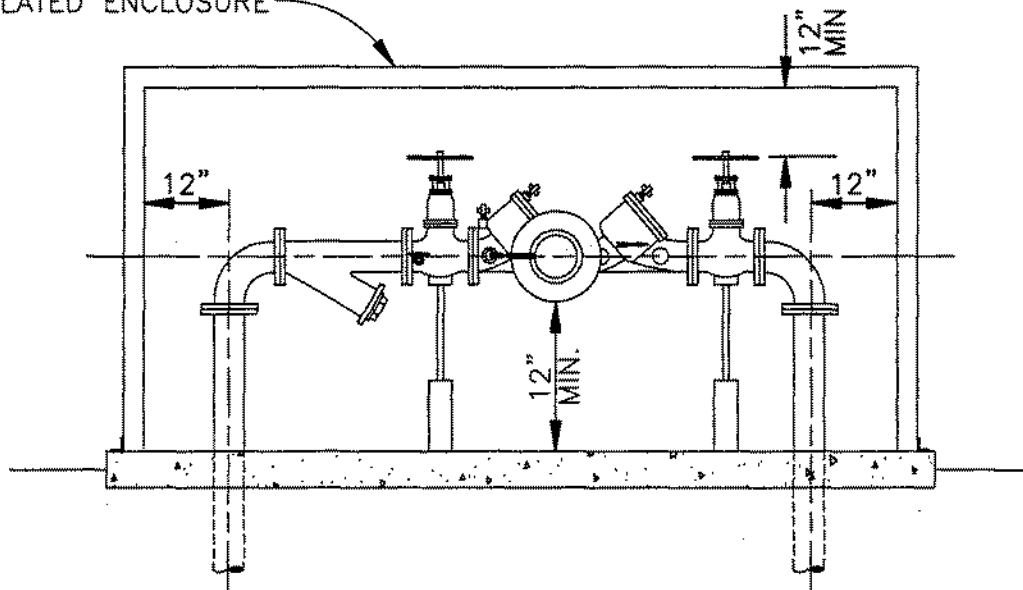
**RPZ BACKFLOW PREVENTER SIZE 3" - 10"
ABOVE GROUND TYPICAL INSTALLATION**

STANDARD
No.

03

DEC. 1995

INSULATED ENCLOSURE



NOTES

1. NOTES INDICATED ON STANDARD NO. 03 SHALL APPLY HERE.
2. UNDER NORMAL CONDITIONS BOTH BACK FLOW PREVENTERS SHALL BE IN SERVICE WITH ISOLATION VALVES OPEN.
3. PIPE AND FITTINGS BELOW GRADE TO THE TEE SHALL BE MJ WITH RETAINER GLANDS.

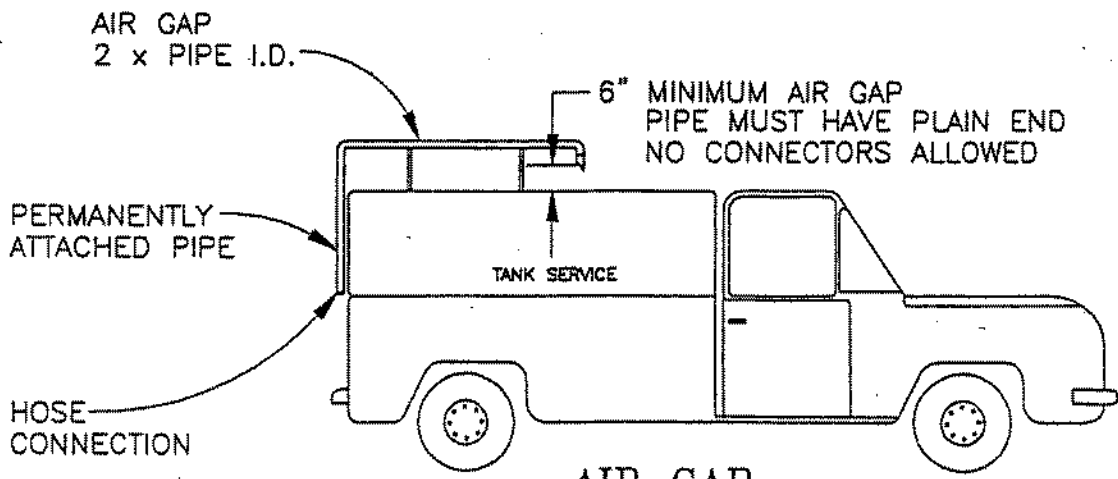
CHEROKEE COUNTY WATER & SEWERAGE AUTHORITY
BACKFLOW PREVENTION PROGRAM

RPZ BACKFLOW PREVENTER SIZE 3" - 10"
NON INTERRUPT SERVICE

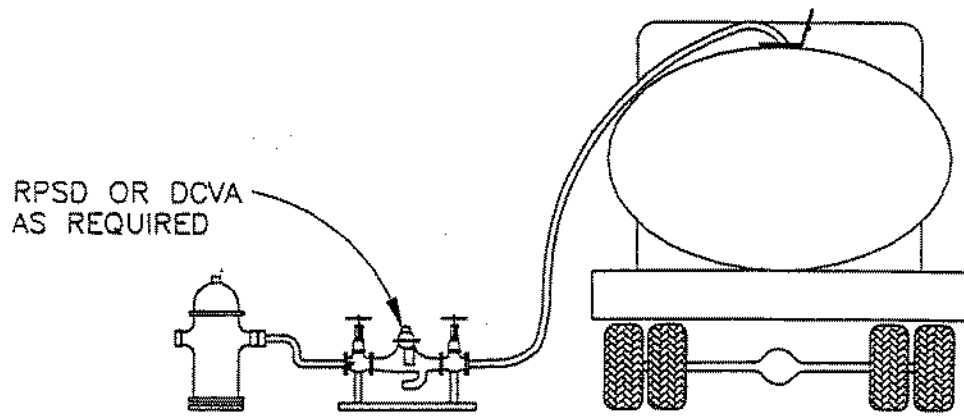
STANDARD
No.

04

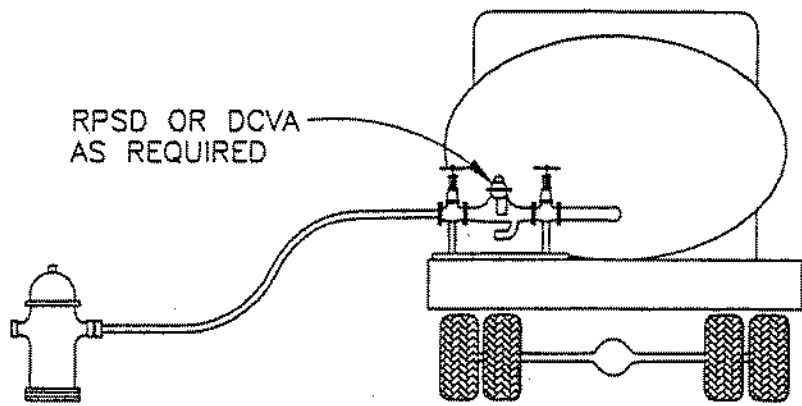
DEC. 1995



AIR GAP
PREFERRED METHOD



PORTABLE DEVICE



MOUNTED DEVICE

WATER BEING INTRODUCED INTO A VESSEL, TANK, TANKER TRUCK OR MISCELLANEOUS OTHER CONTAINERS FROM ANY CONNECTION TO THE CHEROKEE COUNTY WATER AND SEWERAGE AUTHORITY WATER DISTRIBUTION SYSTEM SHALL BE THROUGH ONE OF THE APPROVED METHODS INDICATED ABOVE.

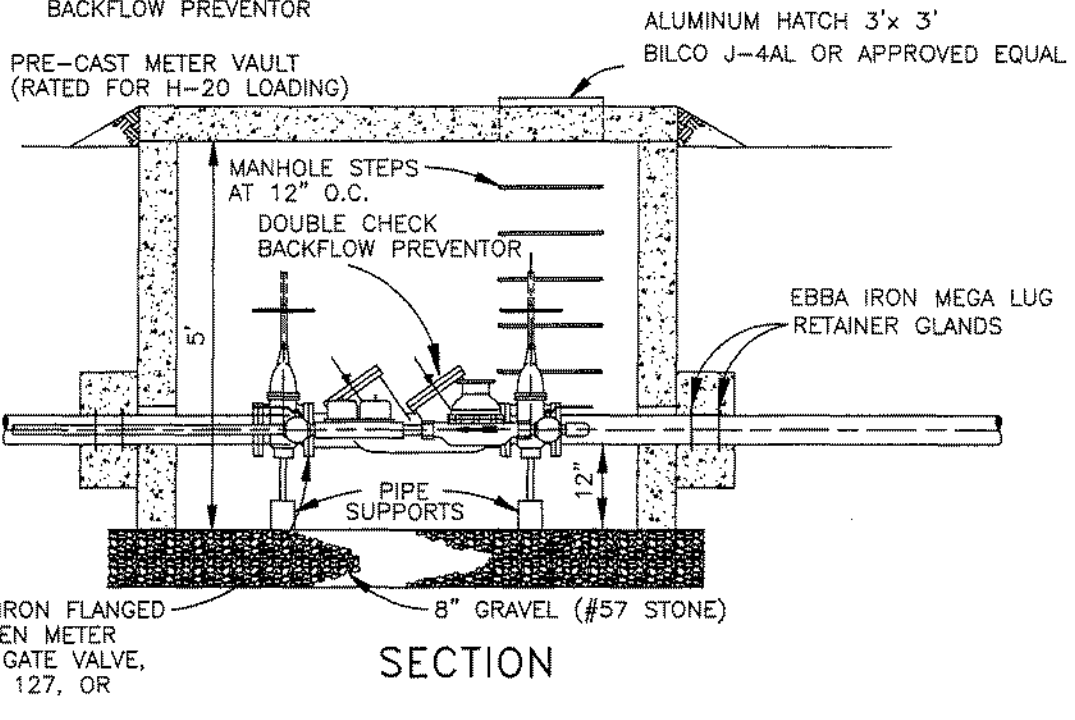
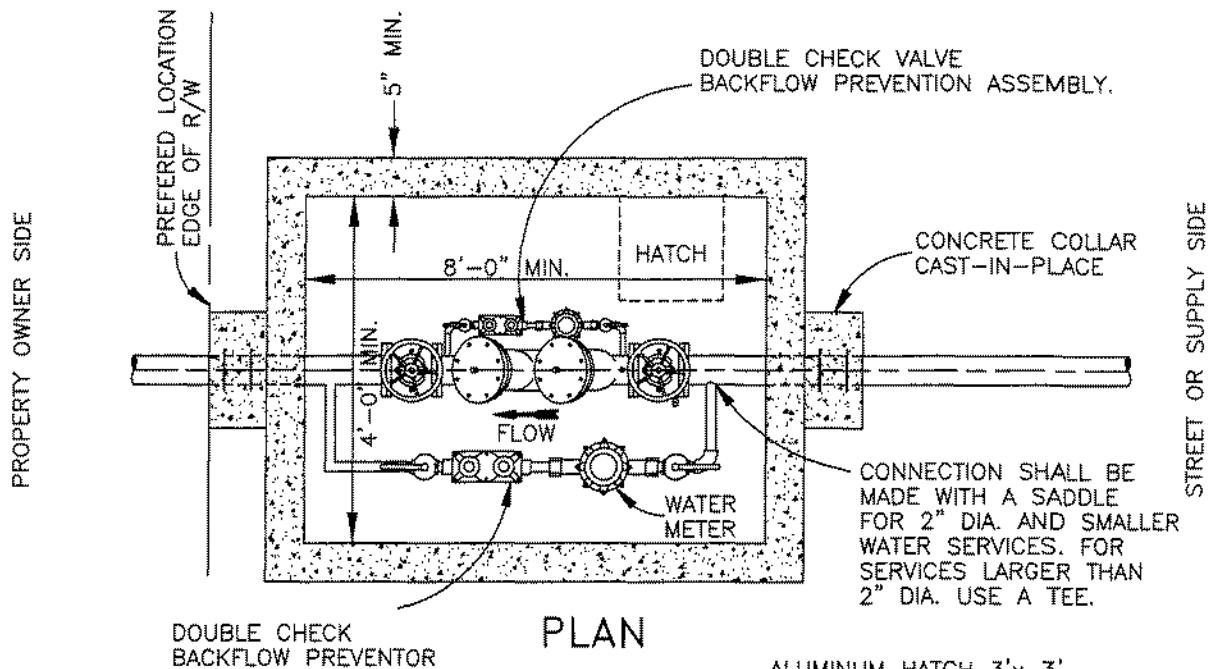
CHEROKEE COUNTY WATER & SEWERAGE AUTHORITY
BACKFLOW PREVENTION PROGRAM

FILLING TANKS

STANDARD
No.

05

DEC. 1995



NOTES:

1. BOXES EXCEEDING 5' IN DEPTH MUST BE APPROVED BY THE AUTHORITY.
2. WHEN METER BOX CANNOT BE LOCATED ENTIRELY ON R/W, A PERMANENT EASEMENT SHALL BE OBTAINED TO PREVENT FENCES OR OTHER OBSTRUCTION FROM BEING ERRECTED AROUND THE METER BOX.
3. COVER OPENING & STEPS TO BE PLACED NEAREST THE METER REGISTER.
4. BOXES ARE NOT TO BE INSTALLED IN TRAFFIC AREAS WITHOUT PRIOR PERMISSION FROM THE WATER AND SEWERAGE AUTHORITY.
5. ALL VALVES AND FITTINGS INSIDE THE VAULT SHALL BE FLANGED.
6. INLET AND OUTLET OPENINGS MUST BE SEALED WITH NONSHRINK GROUT.
7. SUBMIT DETAILED DESIGN TO PROGRAM MANAGER PRIOR TO ANY CONSTRUCTION.

**CHEROKEE CO. WSA
CROSS-CONNECTION
CONTROL PROGRAM**

**DOUBLE CHECK
VALVE IN VAULT**

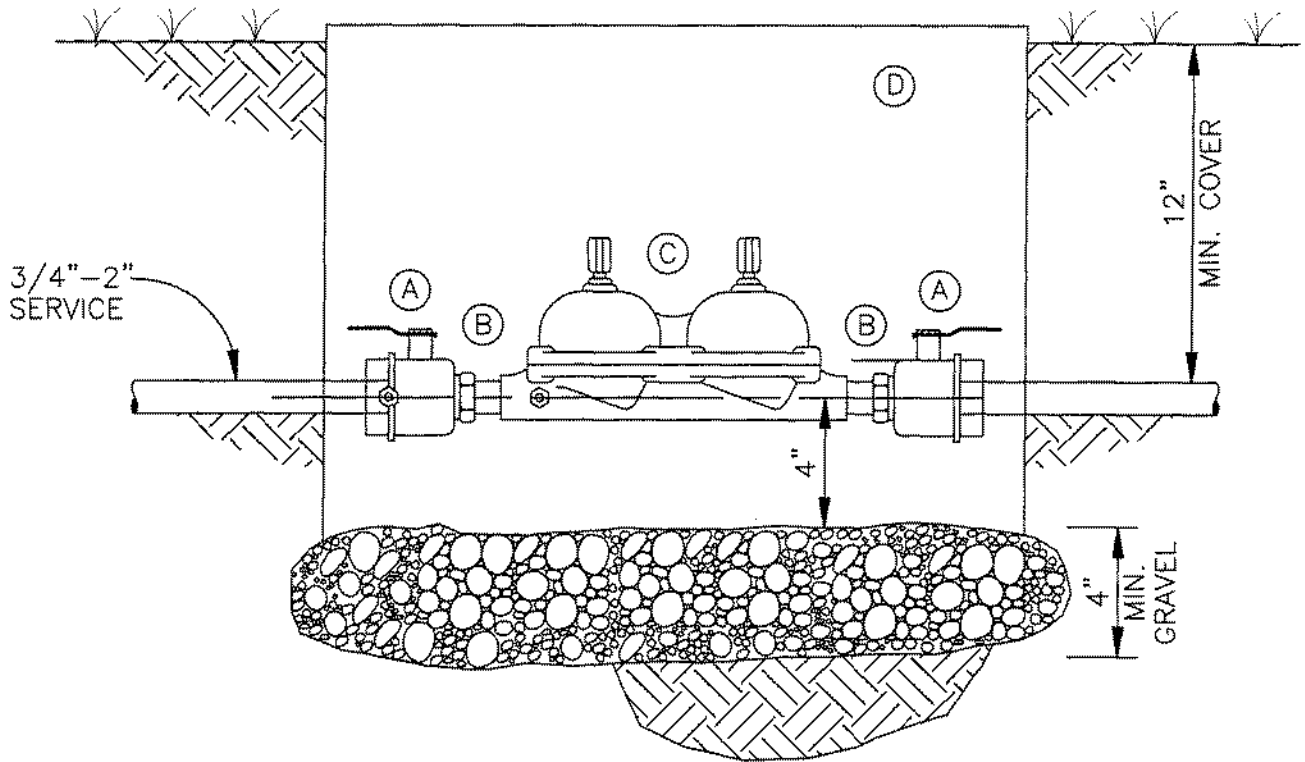
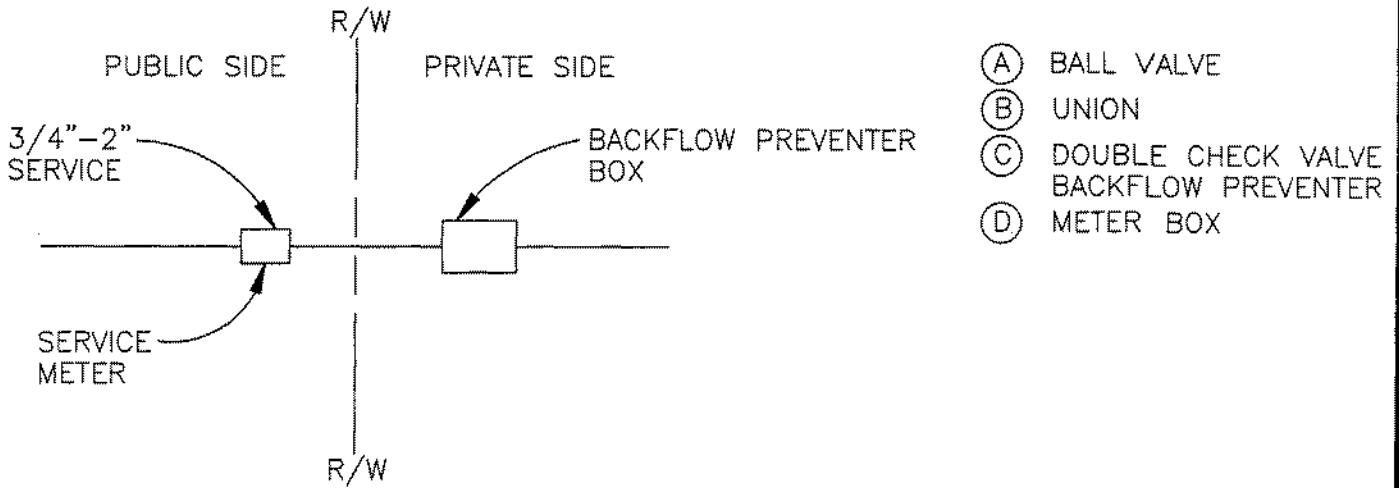
CONSTRUCTION STANDARD

DATE: JUN. 1996

APPROVED:

STANDARD
NO.

06



NOTES

1. DRAWING NOT TO SCALE.
2. APPROVED BACKFLOW PREVENTER, HERSEY MODEL FDC, WATTS SERIES 007, WILKINS MODEL 950XLU, FEBCO MODEL 805Y.
3. METER BOXES MUST BE CAST IRON WITH CAST IRON LIDS.
4. BALL VALVES MUST HAVE BRONZE BODIES AND S.S. HANDLES.
5. PERMITS, PLAN APPROVALS, AND INSPECTIONS MUST BE OBTAINED AND SCHEDULED PRIOR TO WORK THROUGH THE CHEROKEE COUNTY WATER AND SEWERAGE AUTHORITY BACK FLOW PREVENTION DIRECTOR BY CALLING (770) 479-9107 or (770) 826-1412.

**CHEROKEE COUNTY WATER & SEWERAGE AUTHORITY
BACKFLOW PREVENTION PROGRAM**

**DOUBLE CHECK BACKFLOW PREVENTER SIZE 3/4"–2"
BELOW GROUND TYPICAL INSTALLATION**

STANDARD
No.

07

DEC. 1995

**CONTACT THE CCWSA CROSS-CONNECTION PROGRAM
DIRECTOR FOR THE LATEST LIST OF THE APPROVED
BACKFLOW PREVENTION DEVICES.**