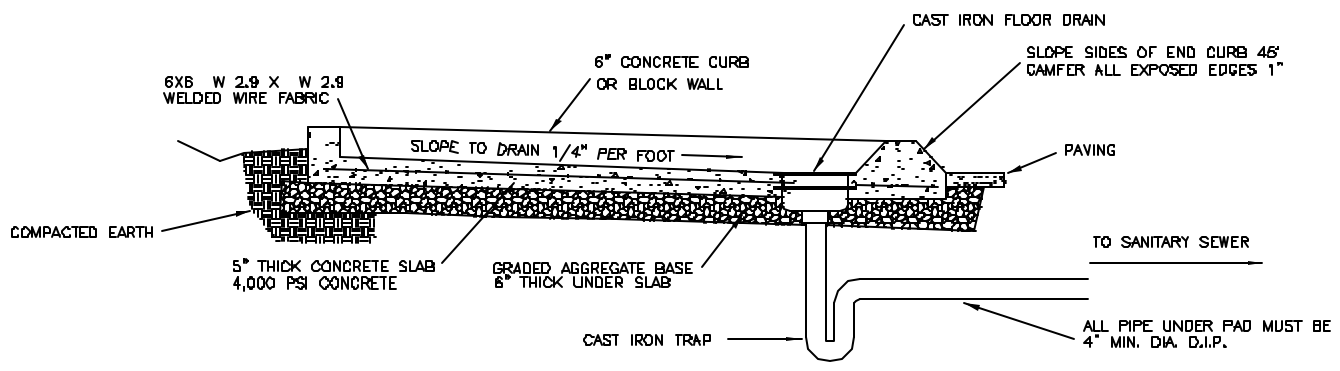


**PLAN VIEW**



**SECTION VIEW**

NOTE: FLOW FROM DUMPSTER PAD SHALL BE ROUTED THROUGH GREASE TRAP IF APPLICABLE.

<b>CHEROKEE COUNTY WATER &amp; SEWERAGE AUTHORITY</b>	<b>DUMPSTER PAD DETAIL</b>  CONSTRUCTION STANDARD	DATE:	FEB. '03	STANDARD NO.  <b>S728</b>
		APPROVED:		