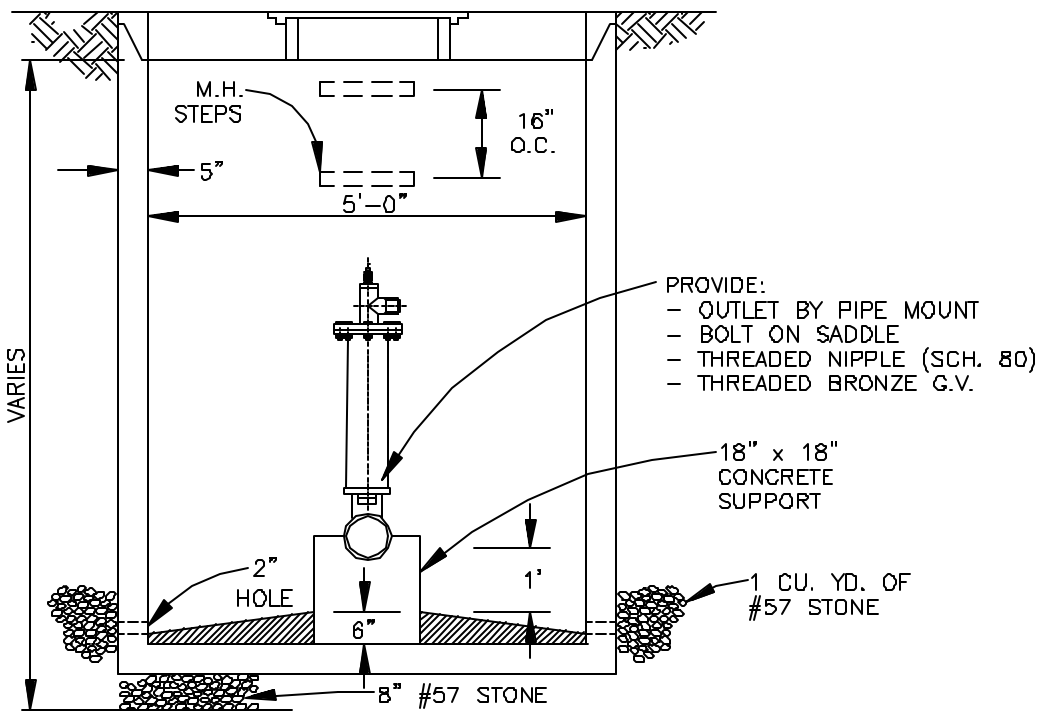


PLAN

NOTES:

1. NO PIPE JOINTS ALLOWED WITHIN MANHOLE.
2. ALL MANHOLES IN ROAD RIGHT-OF-WAY SHALL BE FLUSH WITH GRADE



SECTION

SEWER AIR & VACUUM VALVE ASSEMBLY

| | | | |
|---|---|----------------|--------------------------------|
| CHEROKEE COUNTY WATER & SEWERAGE AUTHORITY | SEWER AIR & VACUUM VALVE ASSEMBLY CONSTRUCTION STANDARD | DATE: FEB. '03 | STANDARD NO. S721 |
| | | | |
| | | APPROVED: | |