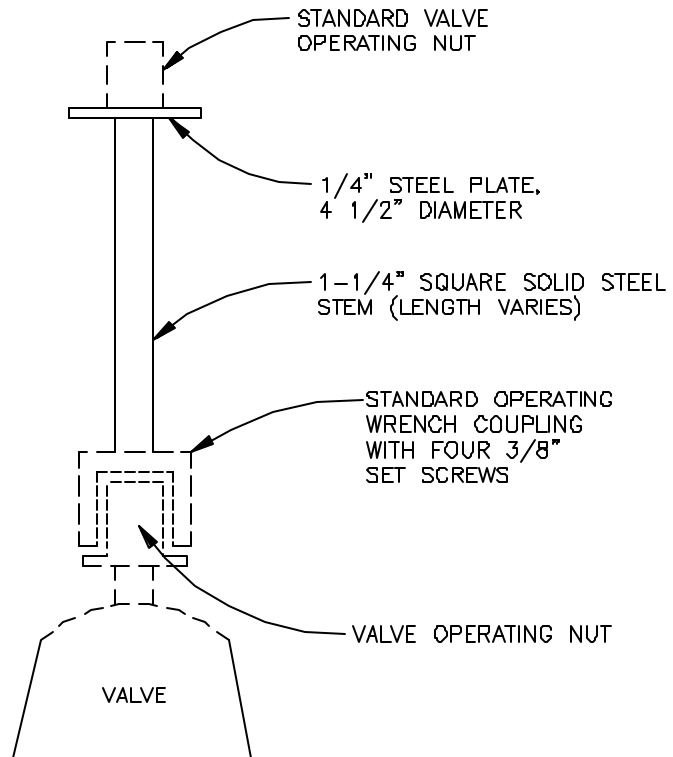


TYPICAL VALVE INSTALLATION

NOTES:

1. TOP OF EXTENSION SHALL BE NO MORE THAN THREE FEET BELOW FINAL GRADE.
2. CONTRACTOR IS RESPONSIBLE FOR IN FIELD MEASUREMENT OF DEPTH OF PIPE COVER TO DETERMINE NEED FOR VALVE STEM EXTENSION.



VALVE STEM EXTENSION DETAIL

**CHEROKEE COUNTY
WATER & SEWERAGE
AUTHORITY**

**TYPICAL
VALVE
INSTALLATION**
CONSTRUCTION STANDARD

DATE: FEB. '03

APPROVED:

STANDARD
NO.
W718