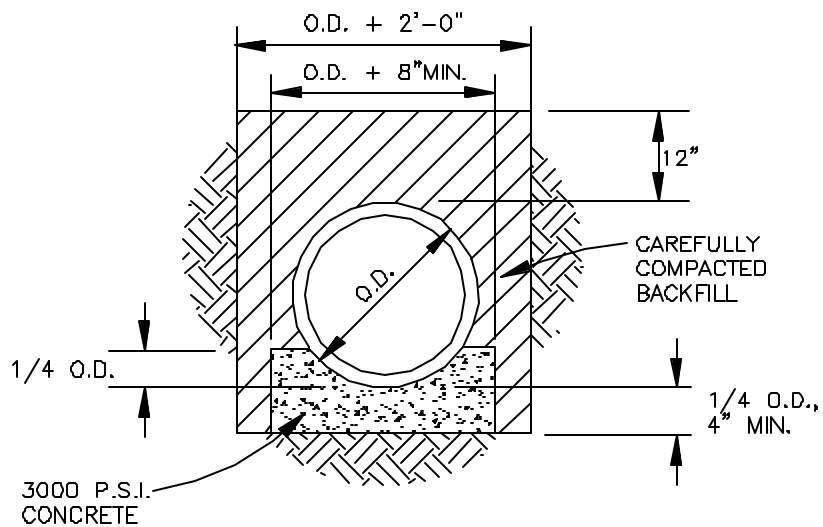


CONCRETE ARCH



CONCRETE CRADLE

**CHEROKEE COUNTY
WATER & SEWERAGE
AUTHORITY**

**PIPE CLASS
'A' BEDDING**
CONSTRUCTION STANDARD

DATE:	FEB. '03
APPROVED:	

STANDARD
NO.
S717