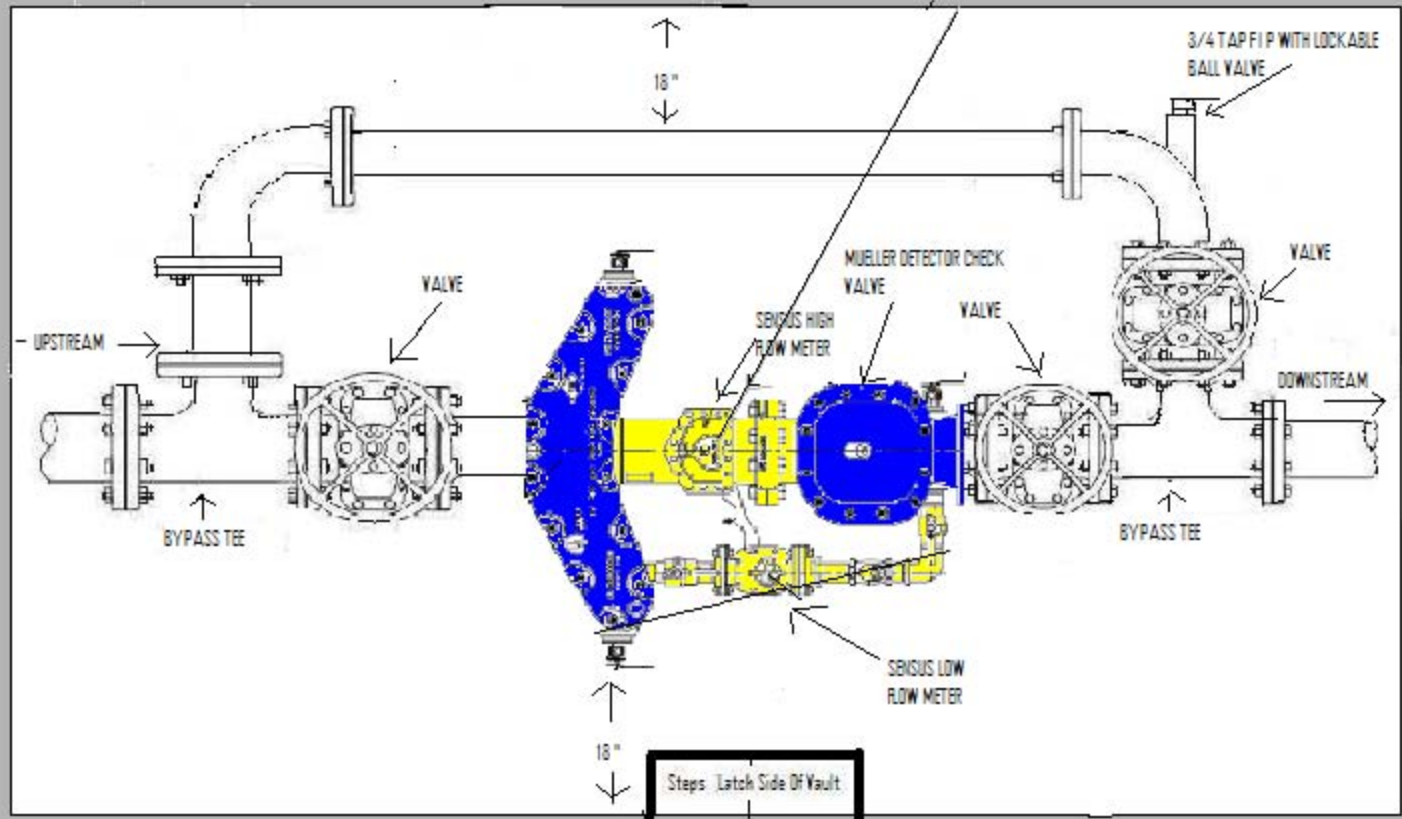


COMPACT FIRE LINE ASSEMBLY VAULT

← STREET

METERS SHALL BE SENSUS WITH ICE REGISTERS PROGRAMED TO READ IN 1000 GAL INCREMBITS



OFFSET VAULT
MAY BE USED
TO
ACCOMODATE
BY-PASS

BACKFLOW
PREVENTER IN
SEPERATE
VAULT
THIS SIDE

4 X 4 HATCH SIZE