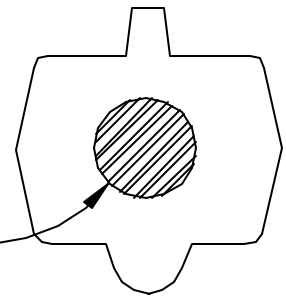
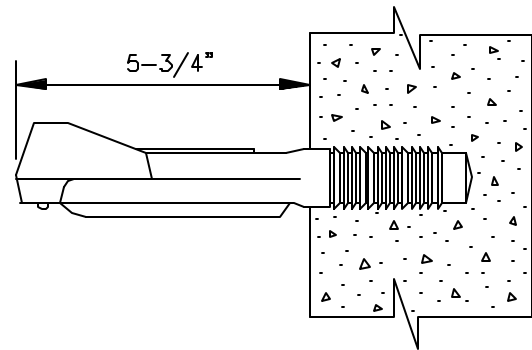


1/2" GRADE 60 STEEL REINFORCEMENT



SECTION



MANHOLE STEP
DETAIL

CHEROKEE COUNTY WATER & SEWERAGE AUTHORITY	MANHOLE STEP CONSTRUCTION STANDARD	DATE:	FEB. '03	STANDARD NO. S707
		APPROVED:		