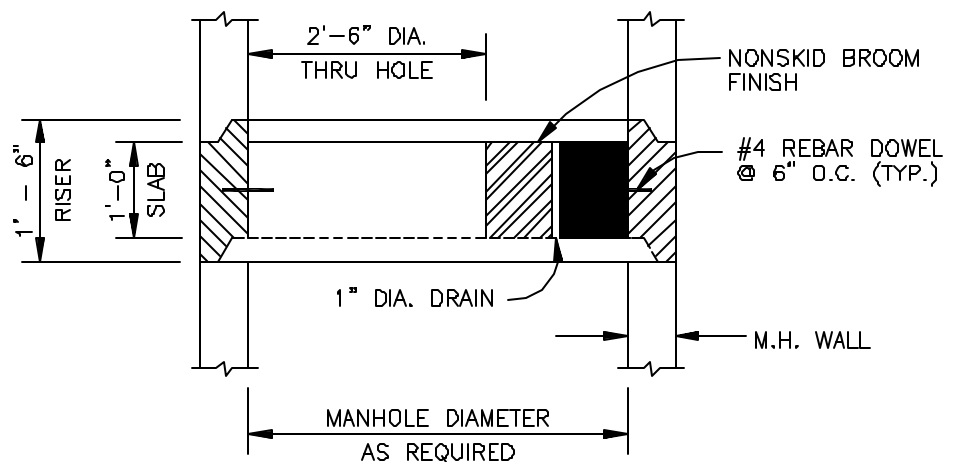
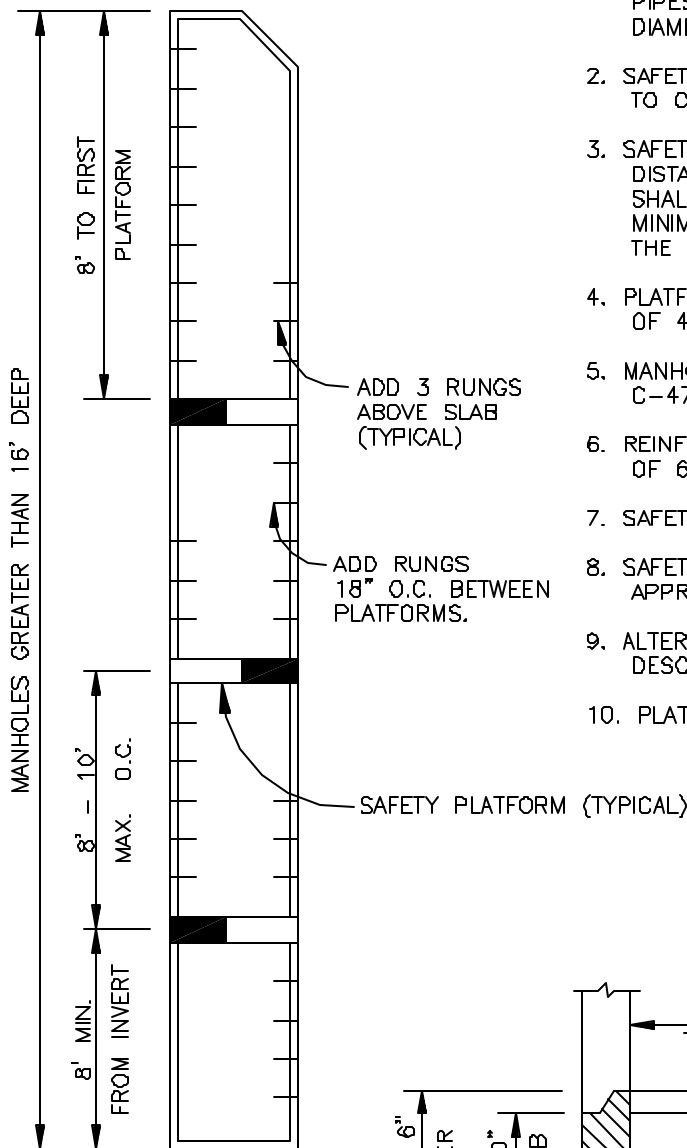


NOTES:

1. ALL MANHOLES FOR 24" DIAMETER AND LARGER SEWER PIPE SHALL BE 5'-0" IN DIAMETER. ALL MANHOLES FOR SEWER PIPES LESS THAN 24" IN DIAMETER SHALL BE 4'-0" IN DIAMETER.
2. SAFETY PLATFORMS ARE REQUIRED ON ALL MANHOLES EQUAL TO OR GREATER THAN 16 FEET IN DEPTH.
3. SAFETY PLATFORMS ARE TO BE PLACED AT A MAXIMUM DISTANCE OF 8' - 10' APART. THE FIRST PLATFORM SHALL BE 8' BELOW THE COVER. THERE SHALL BE A MINIMUM OF 8' FROM THE INVERT TO THE BOTTOM OF THE LOWEST PLATFORM.
4. PLATFORMS ARE TO BE DESIGNED TO OBTAIN A STRENGTH OF 4000 PSI IN 28 DAYS.
5. MANHOLE AND PLATFORM SHALL MEET A.S.T.M. SPECS. C-478.
6. REINFORCING STEEL SHALL HAVE A MINIMUM YIELD STRENGTH OF 60,000 PSI.
7. SAFETY PLATFORMS SHALL BE PLACED BETWEEN RISERS.
8. SAFETY PLATFORMS SHALL BE PRECAST CONCRETE OR APPROVED EQUAL.
9. ALTERNATE OPENINGS IN SAFETY PLATFORMS AS INDIVIDUAL DESCENDS.
10. PLATFORMS SHALL BE CORED FOR PIPES FOR INSIDE DROPS.



MANHOLE PLATFORMS

NOT TO SCALE

**CHEROKEE COUNTY
WATER & SEWERAGE
AUTHORITY**

**SAFETY
PLATFORMS**

CONSTRUCTION STANDARD

DATE: FEB. '03

APPROVED:

STANDARD
NO.

S704